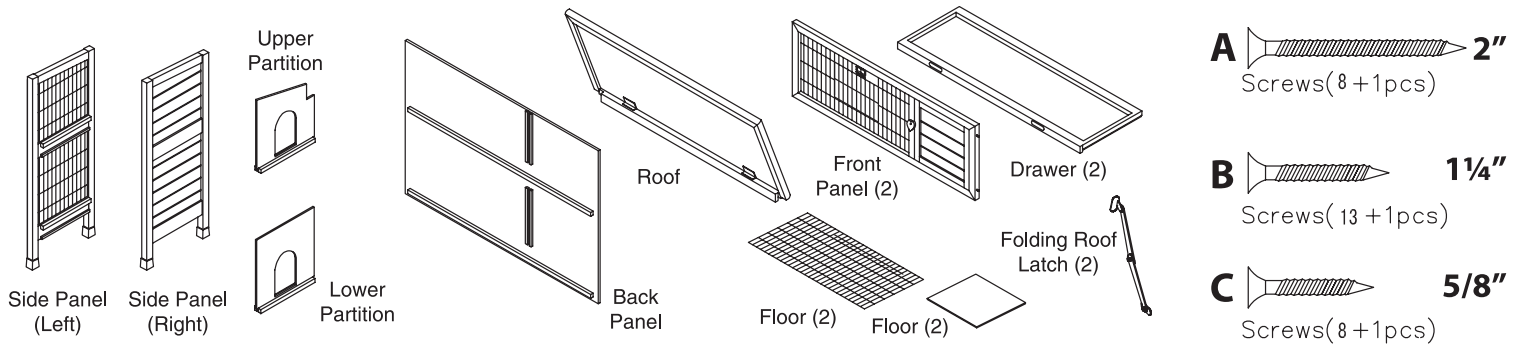
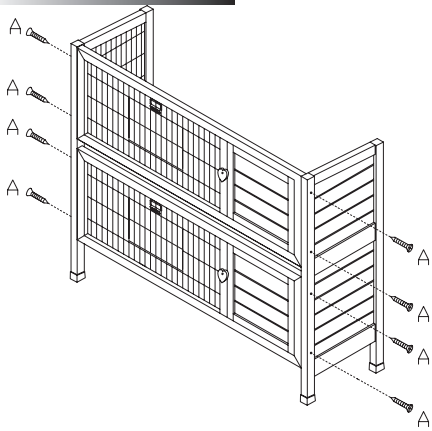


Premium+ Double Decker • Assembly Instructions

Tools Required: Regular Screwdriver

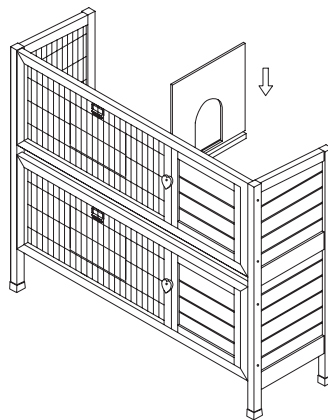


STEP 1



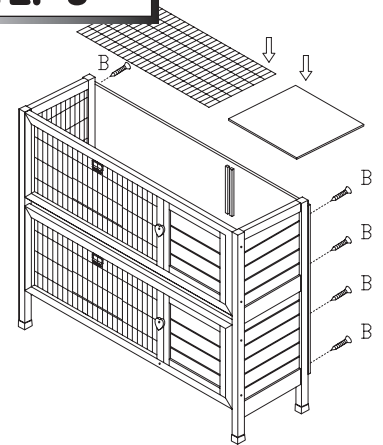
Attach Side Panels to Front Panels using 8- 2" screws (A) as shown.

STEP 2



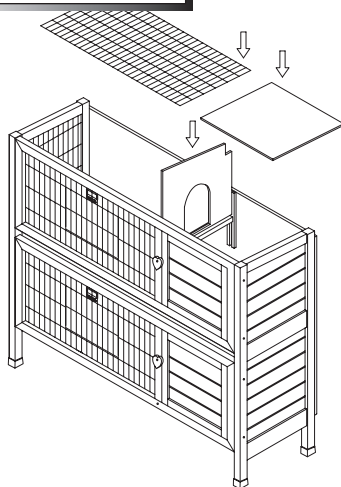
Insert Lower Partition as shown.

STEP 3



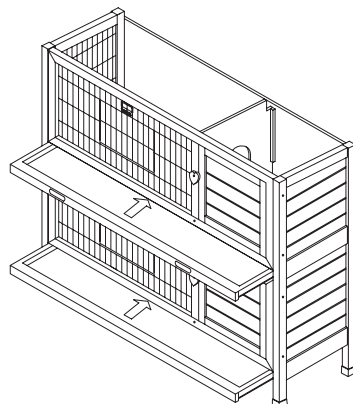
Attach Back Panel using 8- 1 1/4" screws (B). Insert Floor on lower section.

STEP 4



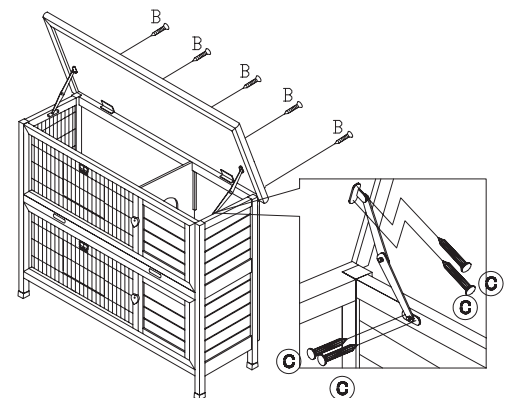
Insert Upper Floor Panels on Upper Partition.

STEP 5



Slide Drawers into the Lower and Middle sections as shown.

STEP 6



Attach Roof using 5- 1 1/4" screws (B). Attach Folding Roof Latch by using 4- 5/8" screws (C) as shown.

ITEM #01518



7 91611 01518 6

MADE IN CHINA
to the exact Design Specifications of
WARE MFG. INC
Phoenix, AZ, USA 85004
VISIT US AT www.waremf.com

WARE
Manufacturing Inc.